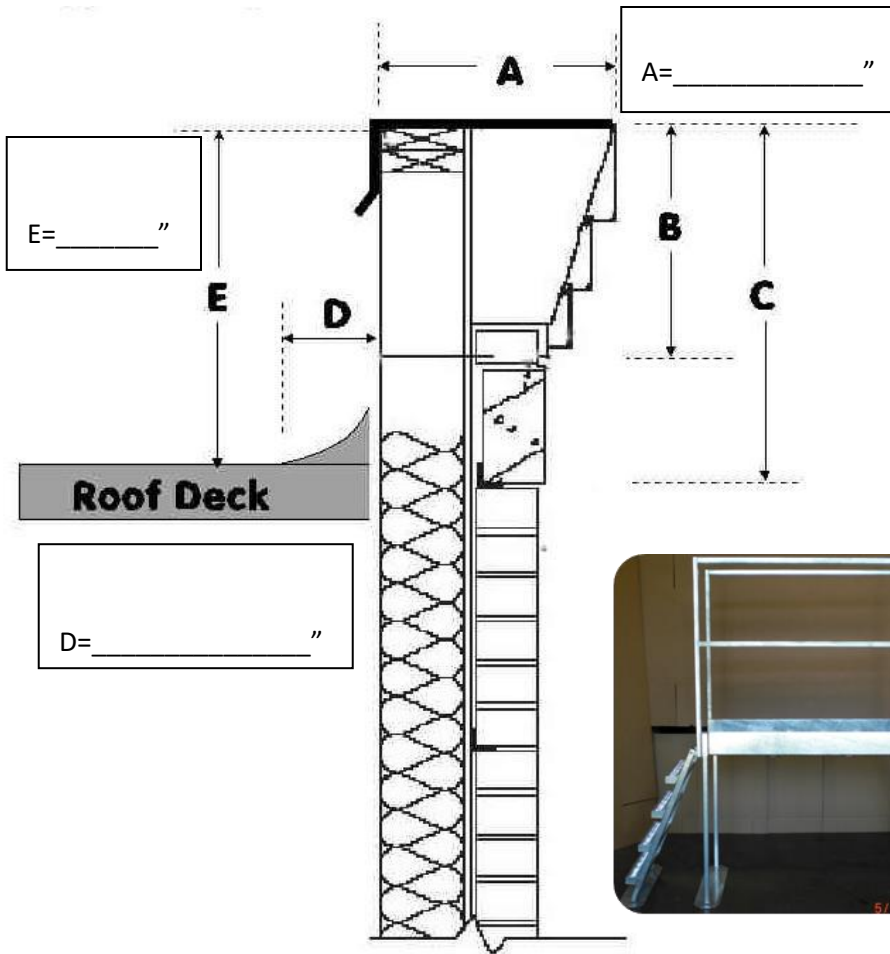


PLATFORM DIMENSION FORM



How to Measure when a Platform is required:

Parapet lengths are 28" / 38" / 48" / 58" / 68" etc.
Standard width is 27 1/4"

DETERMINE PLATFORM LENGTH

A = PARPET WIDTH + _____

D = WIDTH OF OBSTACLE + _____

8" REQUIRED FOR FOOTER + 8.0

PLATFORM LENGTH = _____

ROUNDUP TO NEXT LARGEST SIZE MANUFACTURED

Example: Parapet width = 14" Obstacle width 20" from parapet wall + 8" = 42"

48" Platform length required

E = PARAPET HEIGHT _____

E DETERMINES BACK LADDER STEPS REQUIRED

BACK LADDER SOLD SEPARATELY

Overhead Clearance Caution

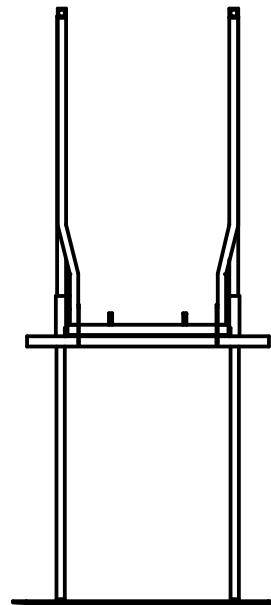
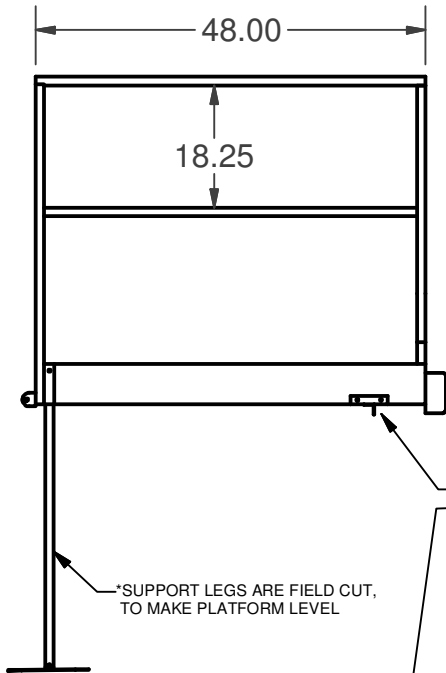
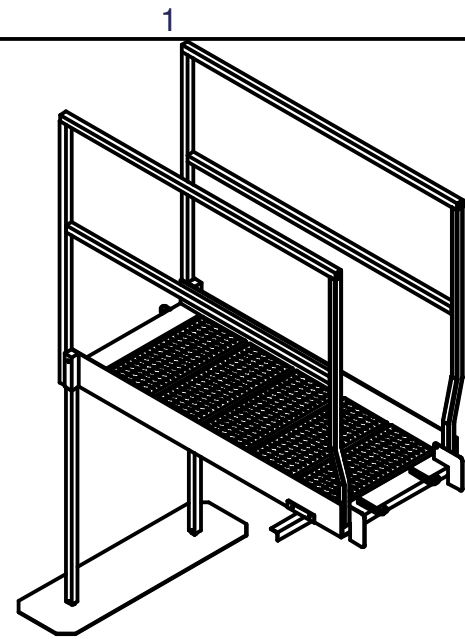
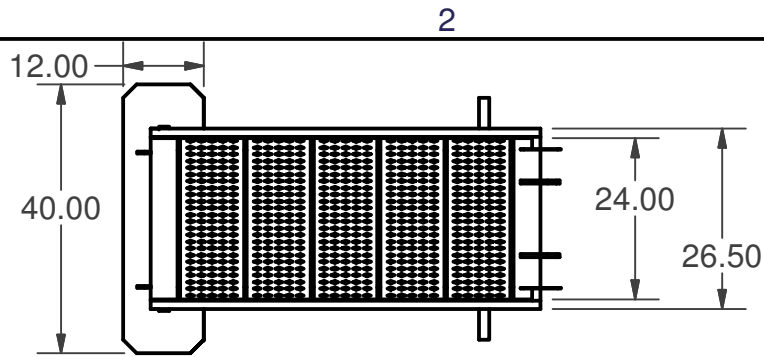
- The bars extend 48" above the bottom of the Platform.
- Add Parapet height + 49" above the bottom of the Platform.
- Take into consideration the height of a person walking on the Platform.

- Drawing intended as a guide only.
- All measurements are approximate.
- Drawing shows parapet, in most cases same dimensions apply if no parapet present.
- Drawings Not to Scale
- Document intended for dimensional purposes only.

LadderPort

800-770-8851

www.ladderport.com · sales@ladderport.com



USE THIS SPEC AS A GUIDE LINE.

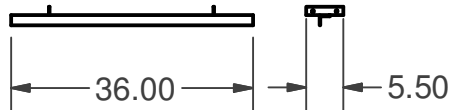
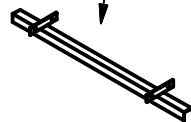
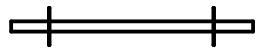
Platforms are available in lengths of 28" - 98" in increments of 10". Except for length all other dimensions remain the same.

This drawing shows hooks for an extension ladder on one end, while the other end allows for an installation of nothing for a flat install or the proper size back ladder for parapet height.

This unit can be purchased with mounting for back ladders on both end.

*SUPPORT LEGS ARE FIELD CUT, TO MAKE PLATFORM LEVEL

MOUNTING BRACKET, FASTENS PLATFORM TO WALL SECURELY



DRAWN Keith	5/18/2011
CHECKED	
QA	
MFG	
APPROVED	

See Platform measure form for determining length Parapet height will determine Back Ladder Size.		
TITLE LADDERTECH LLC BRIGHTON, MI 800-770-8851 WWW.LADDERPORT.COM		
SIZE A	DWG NO 48 inch platform NO LADDER	REV
SCALE		SHEET 1 OF 1

B

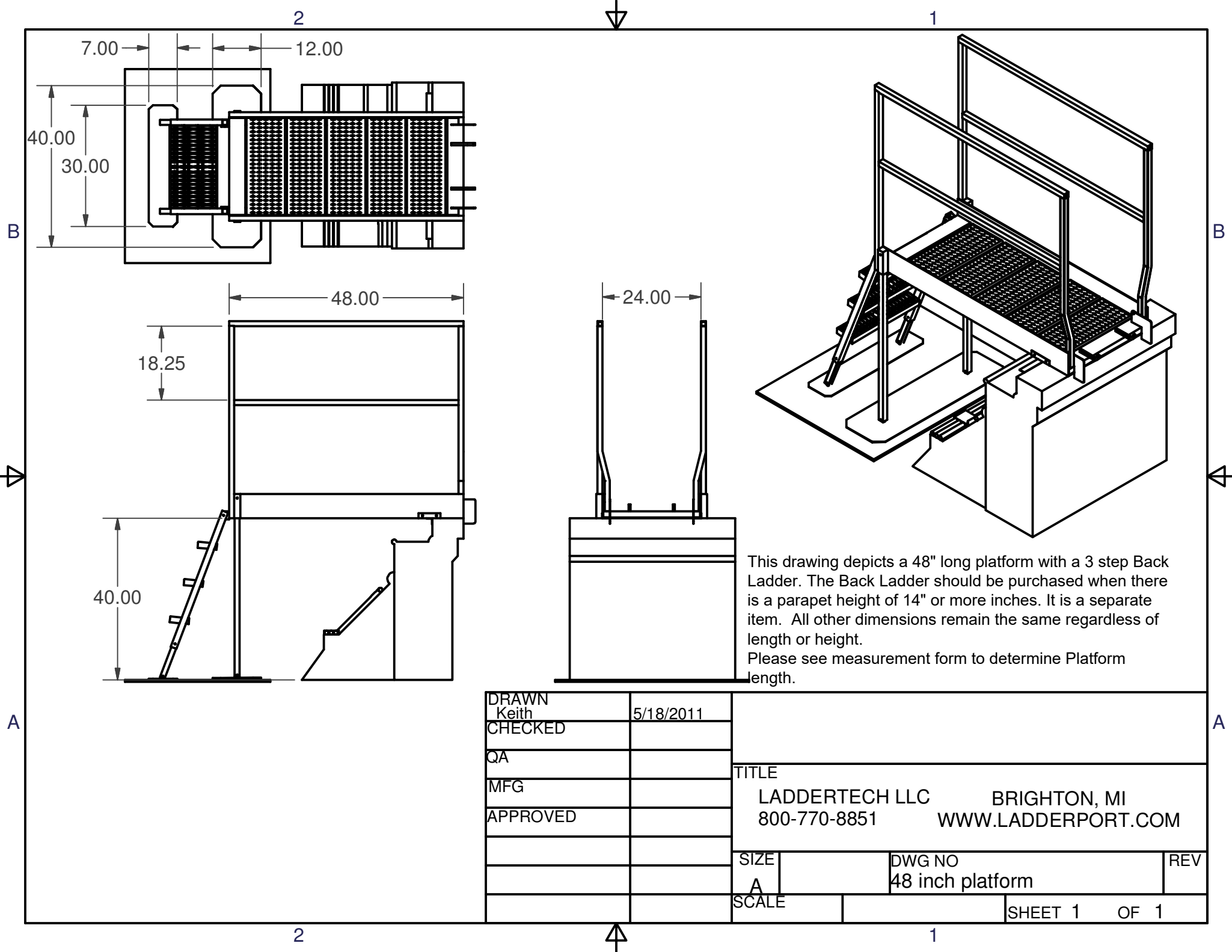
B

A

A

2

1



This drawing depicts a 48" long platform with a 3 step Back Ladder. The Back Ladder should be purchased when there is a parapet height of 14" or more inches. It is a separate item. All other dimensions remain the same regardless of length or height. Please see measurement form to determine Platform length.

DRAWN Keith	5/18/2011
CHECKED	
QA	
MFG	
APPROVED	

TITLE		
LADDERTECH LLC		BRIGHTON, MI
800-770-8851		WWW.LADDERPORT.COM
SIZE	DWG NO	REV
A	48 inch platform	
SCALE	SHEET 1 OF 1	