



LadderPort Parapet Back Ladder System



1 STEP (14" - 20")



2 STEP (20" - 30")



3 STEP (30" - 40")



4 STEP (40" - 50")



5 STEP (50" - 60")



6 STEP (60" - 70")



7 STEP SHOWN WITH
HAND RAILS
(70" - 80")



8 STEP SHOWN
W/ HAND RAILS
(80" - 90")



Diamond Joiner Plate
20" x 17"
(Provide Parapet Width
For piece cut to size)

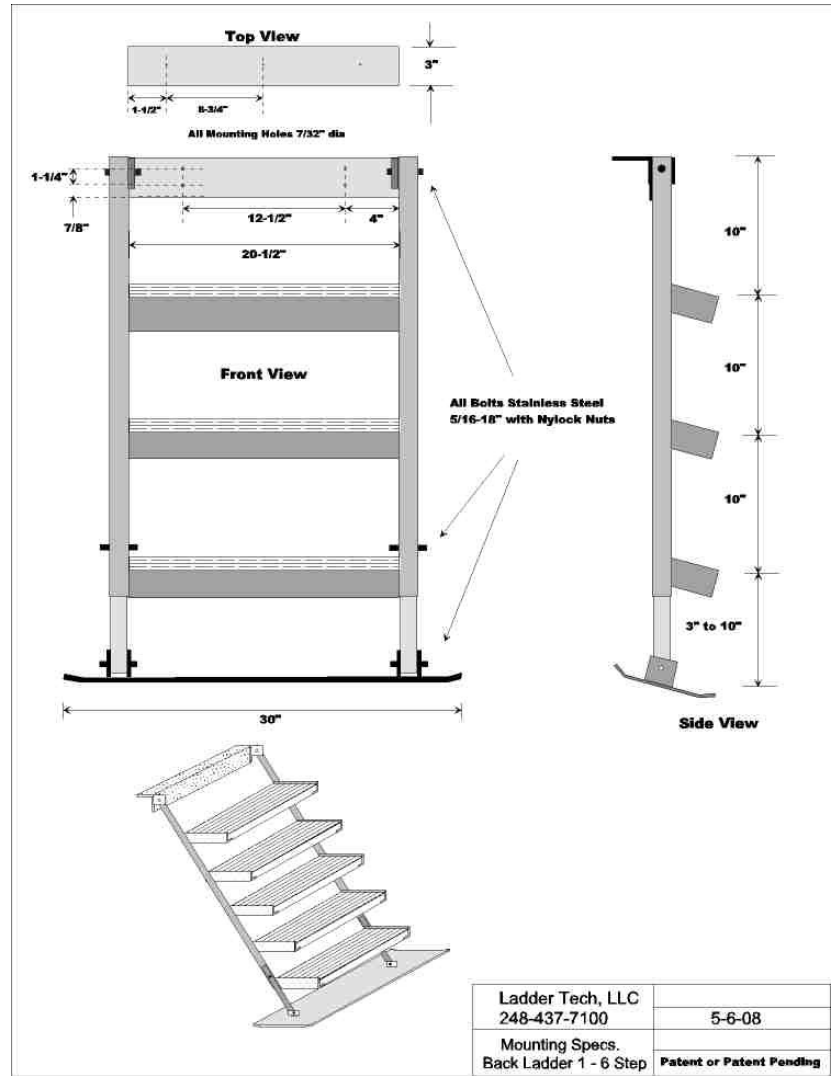
Item	# of Steps	# of Inches	Inches from Wall
F4103	One Step	10"-20"	5.5 — 7.5
F4203	Two Step	20"-30"	10.0 — 11.5
F4303	Three Step	30"-40"	14.5 — 17.0
F4403	Four Step	40"-50"	14.5 — 18.5
F4503	Five Step	50"-60"	18.0 - 21.5
	Additional Step Sizes Avail.	Call for Information	& Pricing
	Hand Grab Rail	For use with Parapet Ladder	3 steps & Above
	Diamond Joiner Plate (provide parapet width)	Protection for Parapet between LadderPort & Back Ladder	All Parapet Ladders Are Galvanized

LadderPort
800-770-8851
www.ladderport.com ● michele@ladderport.com

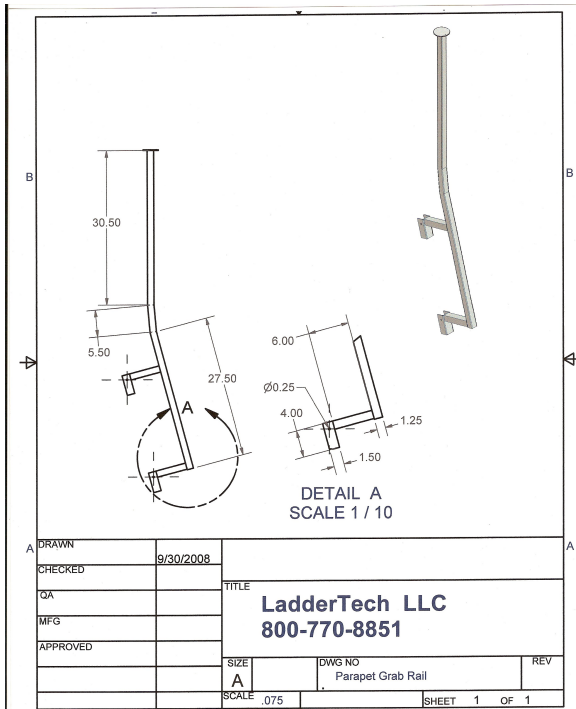
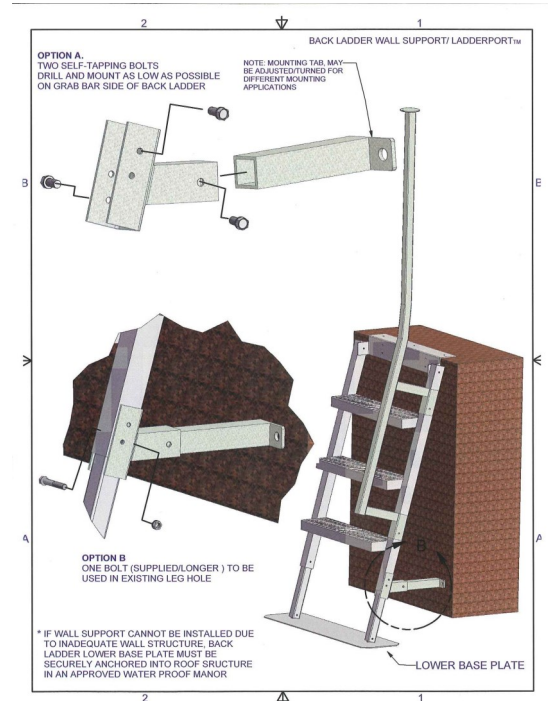


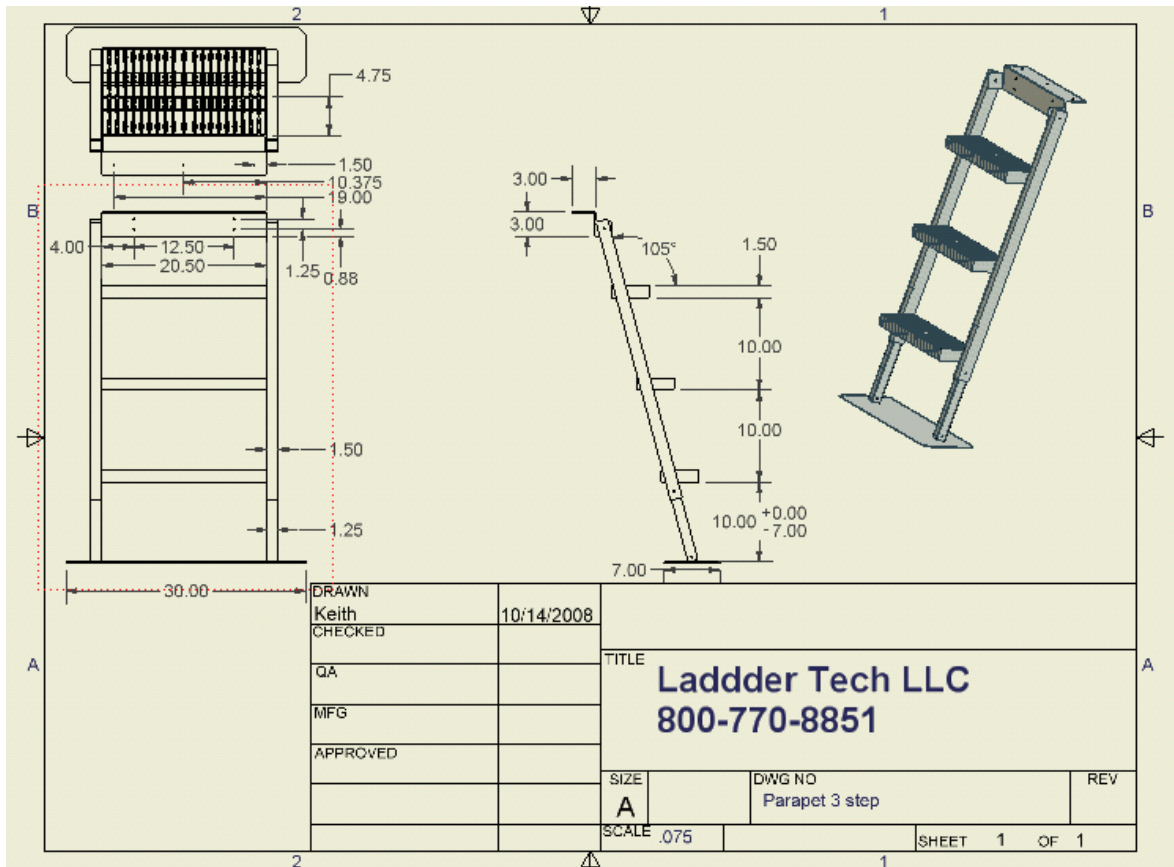
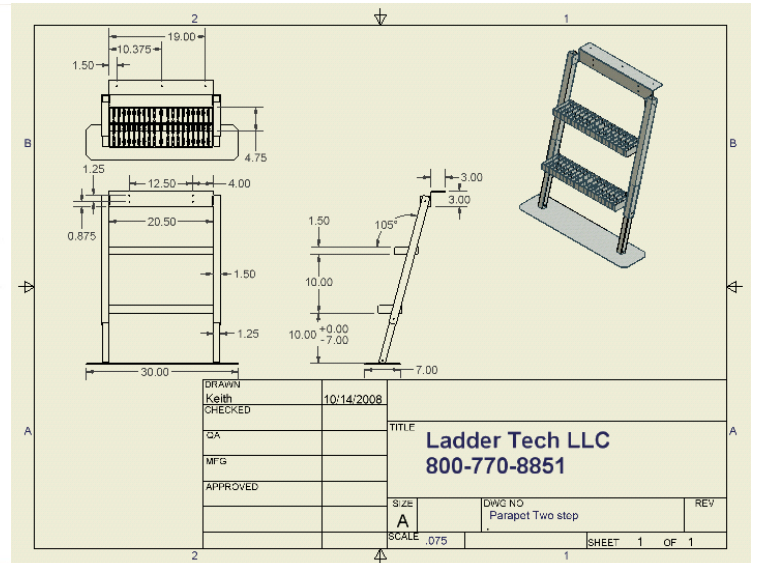
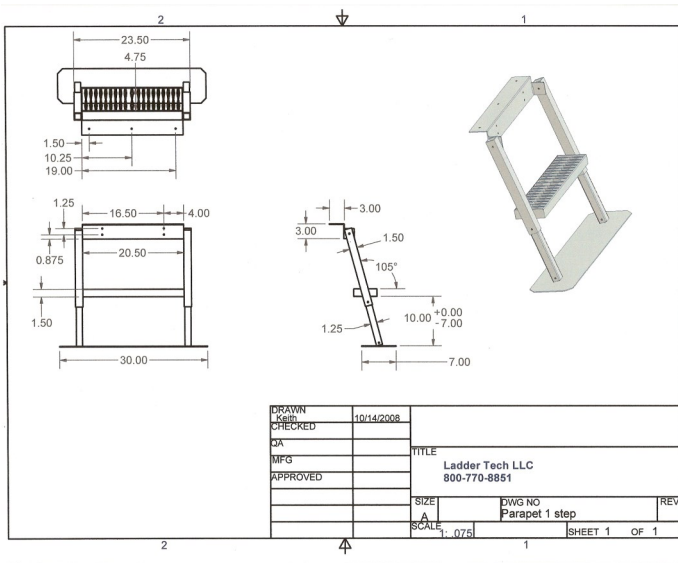
GENERAL SPECIFICATIONS
 BACK LADDERS RANGE FROM
 1—12 STEPS.
 DISTANCE BETWEEN
 EACH STEP IS
 APPROXIMATELY 10"
 BOTTOM LEGS ARE FIELD CUT
 AND MOUNTED TO ALLOW
 FOR ROOF SLOPE & PROVIDE
 A 10" HEIGHT VARIANCE.

BACK LADDER # OF INCHES FROM WALL		
STEPS	INCHES	INCHES FROM WALL
1	14-20	5.5 - 7.5
2	20-30	10 - 11.5
3	30-40	14.5 - 17
4	40-50	14.5 - 18.5
5	50-60	18 - 21.5
6	60-70	21 - 24.5
7	70-80	24 - 27.5
8	80-90	27 - 30.5
9	90-100	30 - 33.5
10	100-110	33 - 36.5



GRAB RAILS ARE
 RECOMMENDED ON 3
 STEPS & ABOVE.
 THE WALL SUPPORT IS
 PROVIDED TO ENSURE
 THE STEPS DO NOT RAISE
 UP.
 THE BOTTOM PLATE
 SIMPLY SITS ON THE
 ROOF
 A RUBBER ROOF PAD
 SHOULD BE PLACED
 UNDER THE BOTTOM
 PLATE TO PROTECT THE
 ROOF MEMBRANE.





2



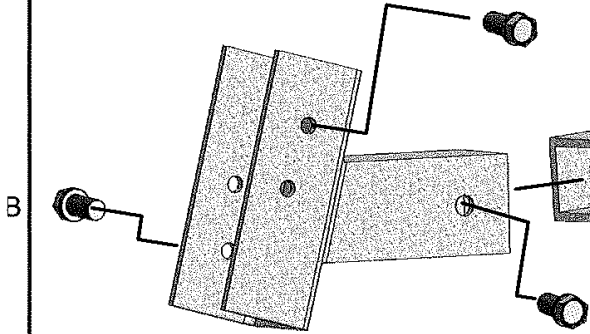
1

BACK LADDER WALL SUPPORT/ LADDERPORT™

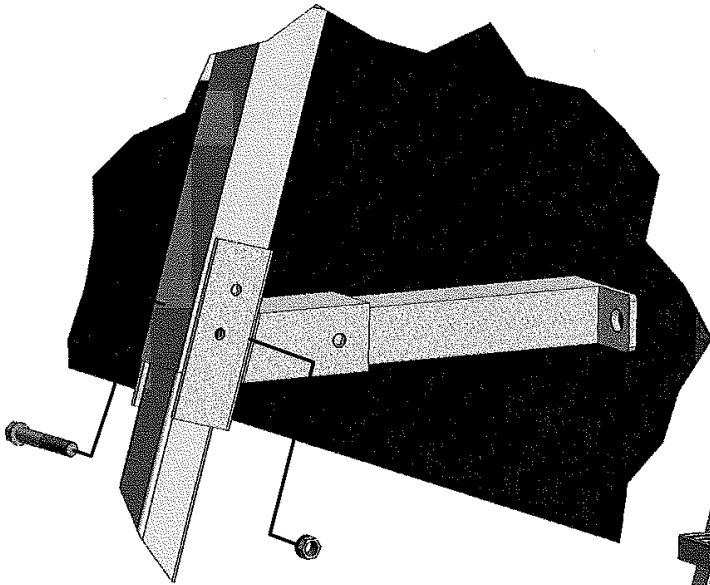
OPTION A.

TWO SELF-TAPPING BOLTS
DRILL AND MOUNT AS LOW AS POSSIBLE
ON GRAB BAR SIDE OF BACK LADDER

NOTE: MOUNTING TAB, MAY
BE ADJUSTED/TURNED FOR
DIFFERENT MOUNTING
APPLICATIONS



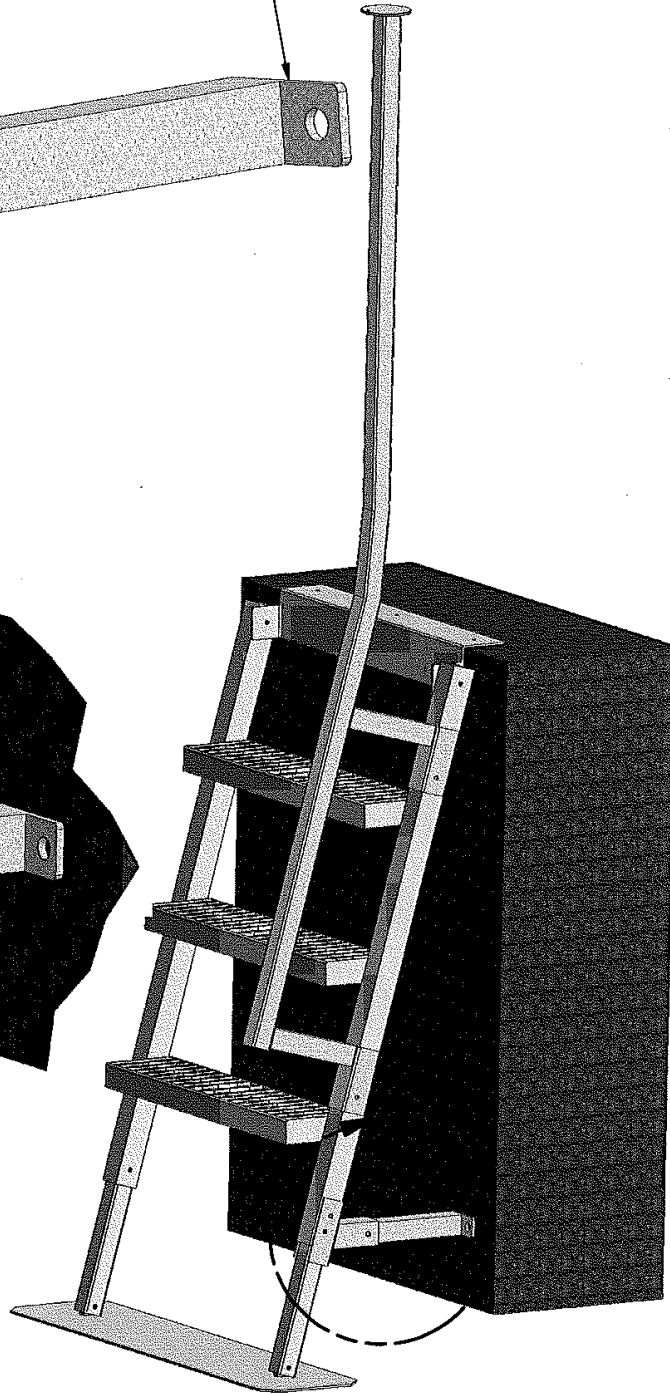
B



A

OPTION B

ONE BOLT (SUPPLIED/LONGER) TO BE
USED IN EXISTING LEG HOLE



A

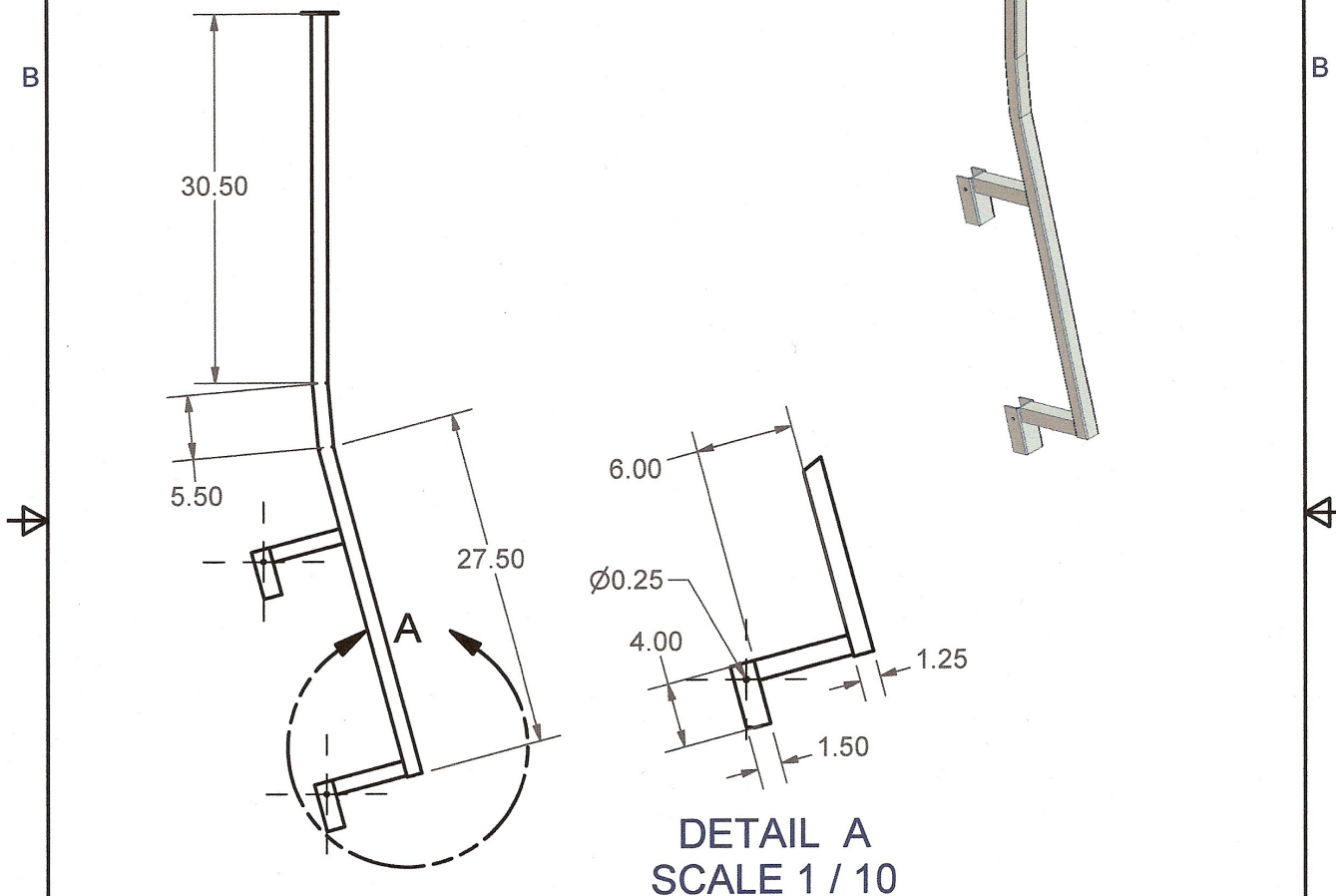
* IF WALL SUPPORT CANNOT BE INSTALLED DUE
TO INADEQUATE WALL STRUCTURE, BACK
LADDER LOWER BASE PLATE MUST BE
SECURELY ANCHORED INTO ROOF STRUCTURE
IN AN APPROVED WATER PROOF MANOR

LOWER BASE PLATE

2



1



DETAIL A
SCALE 1 / 10

A	DRAWN	9/30/2008	LadderTech LLC 800-770-8851			A
	CHECKED					
	QA					
	MFG					
	APPROVED					
	SIZE		DWG NO		REV	
	A		Parapet Grab Rail			
	SCALE	.075	SHEET	1	OF 1	