



THE SAFEST WAY TO THE ROOF!
U.S. PATENT 8,099,910 B1 • MADE IN THE USA

Caged Roof Hatch Grab Bars w/Optional Adjustable Self Closing Gate



[OSHA RULE LINK](#)



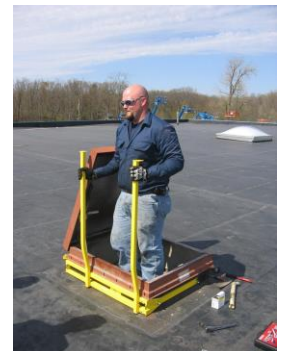
Item #	Description	Comments
F3102	Roof Hatch Grab Bars w/ Cage– Yellow (all mounting hwd, including drill bits)	Adjustable to Fit Roof Hatches 24”-48” wide with standard ladder orientation, longer sides available (US Patent 8,099,910 B1)
	Optional Items	
F3103	Gate	Self-closing & adjustable required if roof hatch left open
F9000	Roof Pad Recommended if Rubber Roof	24”x36”x1/2” heavy rubber with raised buttons to protect roof & help prevent slippage in wet or slightly icy conditions. Great around a/c units to prevent cuts in roof from access panels.

LadderPort™ Roof Hatch Grab Bar

Item #	Description	Comments
F3002	Roof Hatch Grab Bars – Yellow (includes all mounting hardware, including drill bits)	Adjustable to Fit Roof Hatches 24”-48” (US Patent 8,099,910 B1)
	Optional Items	
F9000	Roof Pad Recommended if Rubber Roof	24”x36”x1/2” heavy rubber with raised buttons to protect roof & help prevent slippage in wet or slightly icy conditions. Great around a/c units to prevent cuts in roof from access panels.



The Only Uninterrupted Grab Bars with Hand Stops Meeting OSHA Regulation 1910.27(d)(3)



LadderTech L.L.C.

7081 Dan McGuire Drive • Brighton, Michigan 48116 • Toll Free: (800) 770-8851 • Fax: (248) 486-2600

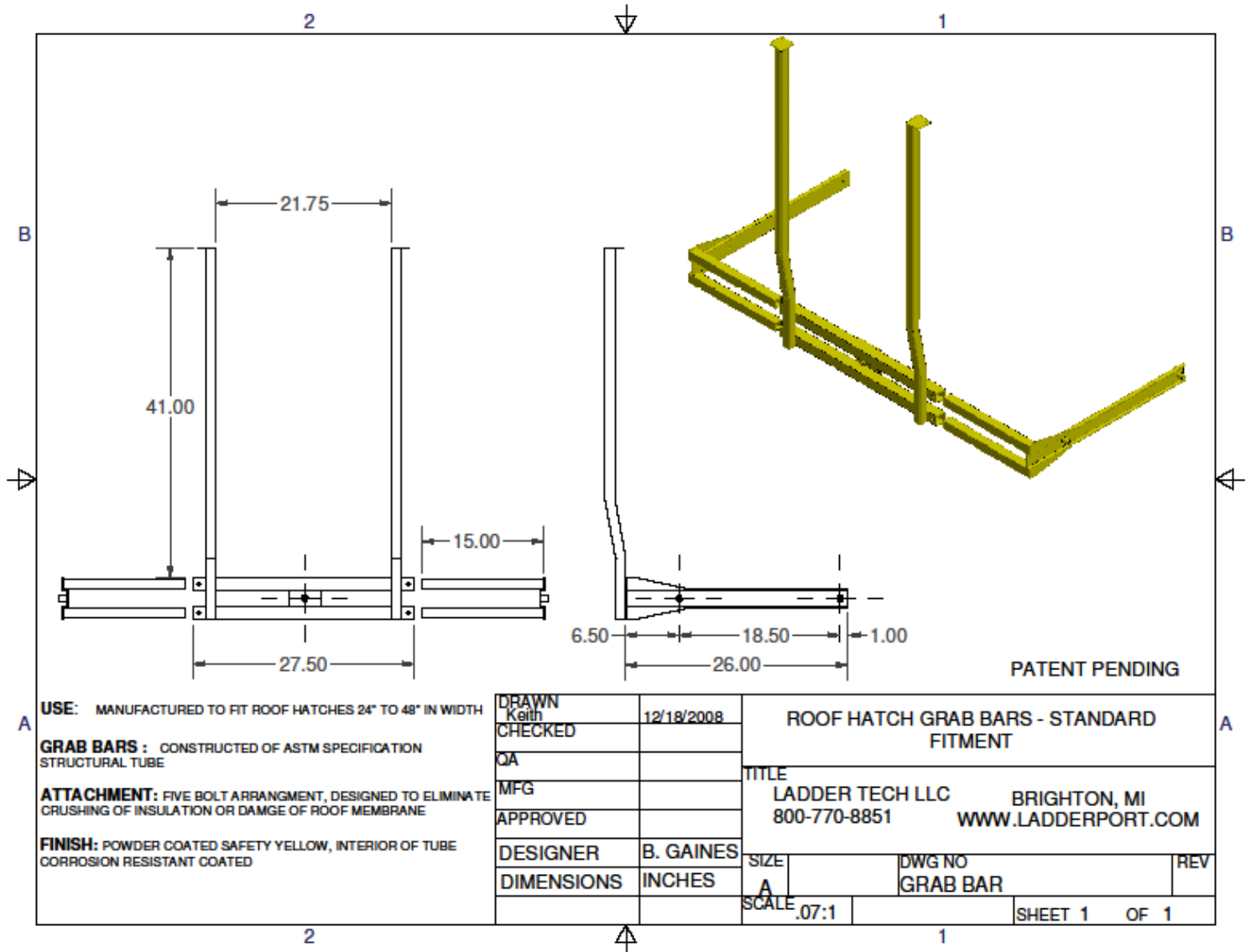
Hatches Not Included

Email: sales@ladderport.com • Web Site: www.ladderport.com



THE SAFEST WAY TO THE ROOF!
 U.S. PATENT 8,099,910 B1 • MADE IN THE USA

LadderPort™ Roof Hatch Grab Bars

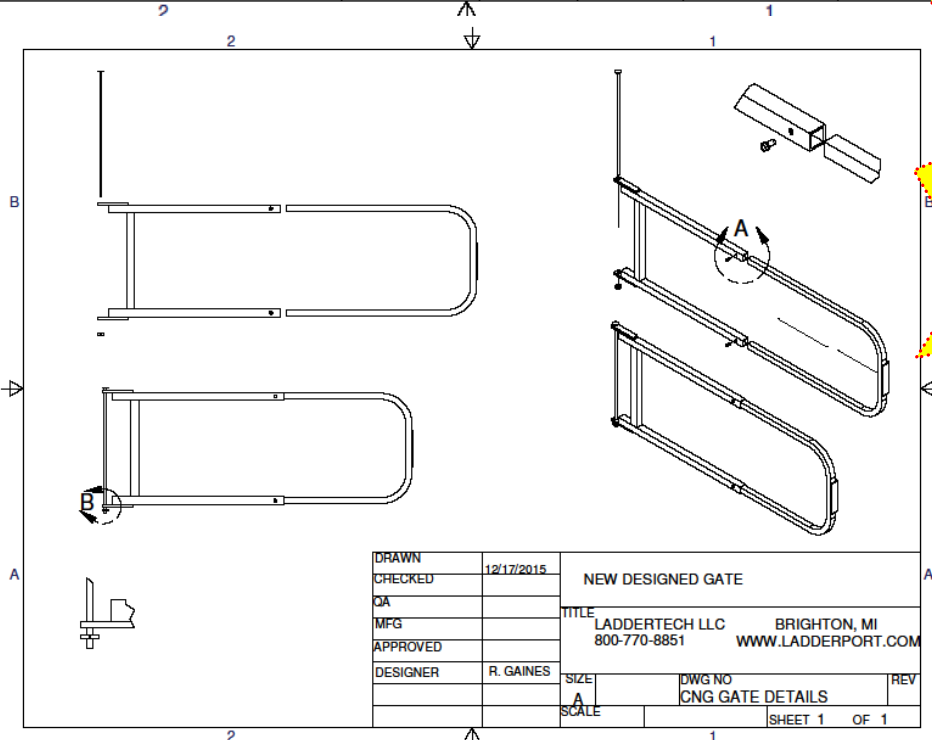
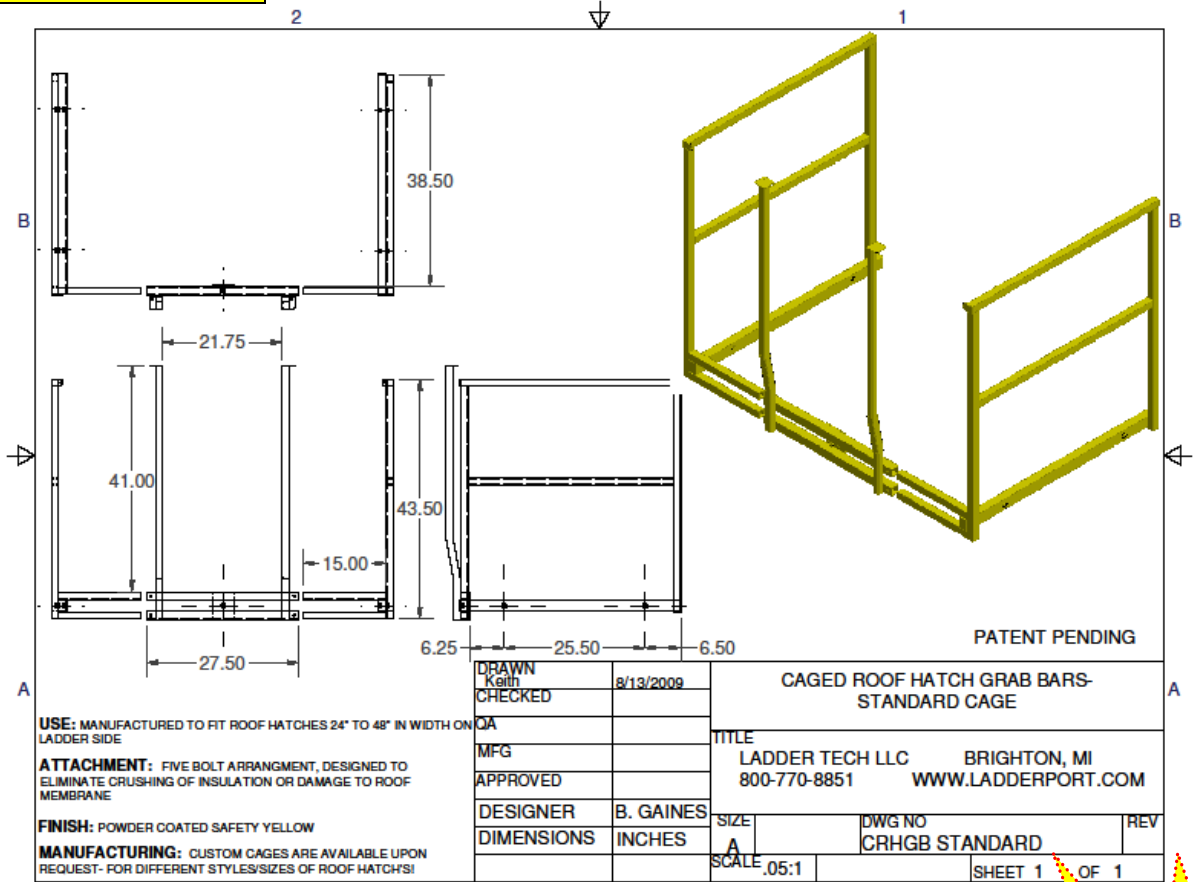


LadderTech L.L.C.

7081 Dan McGuire Drive • Brighton, Michigan 48116 • Toll Free: (800) 770-8851 • Fax: (248) 486-2600
 Email: sales@ladderport.com • Web Site: www.ladderport.com

The Only Uninterrupted Grab Bars with Hand Stops Meeting OSHA Regulation 1910.27(d)(3)


Caged Roof Hatch Grab Bars w/Optional Adjustable Self Closing Gate



MEETS OSHA WALKING-WORKING SURFACES RULE

This Form Required for Custom Orders Only

Caged Roof Hatch Grab Bars w/ Ladder located across from hinges & between 24" – 48" do not require this form.



CAGED ROOF HATCH GRAB BAR DIMENSIONS

Length _____

**PLEASE ALLOW 4-6
WEEKS
MINIMUM**

OFFICE USE ONLY

PRICE

Cage \$ _____

Gate: \$ _____

Sub Tot \$ _____

Freight \$ _____

TOTAL \$ _____

Above Drawing Shows Roof Hatch Opening From Left to Right When Standing Underneath Hatch. **Please indicate ladder position with an X**

Length _____

OFFICE USE ONLY

OFFICE USE ONLY

PRICE

Cage \$ _____

Gate: \$ _____

Sub Tot \$ _____

Freight \$ _____

TOTAL \$ _____

Above Drawing Shows Roof Hatch Opening From Right to Left When Standing Underneath Hatch. **Please indicate ladder position with an X**

Roof Hatch # (Optional)	Location
Company Name	Phone
Address	Cell
City, St, Zip	Fax
Contact Name	Email

Accepted by: _____
Signature
Printed Name
Date