

CRANKY PORTABLE WINCH SYSTEM



Cranky Post Type 1 – Flat Wall Mount



Cranky Fully Extended (Above)

Closed Position (Below)



Cranky Post Type 2 – Gutter Mount



Adapter for 2" Rungs/ Steps



Cranky Post Type 3
Adjustable Bottom Legs



Port-A-Post



Port-A-Post On
Hatch Ladder



Van Mount (Above) Truck (Below)



- Cranky & Posts Sold Separately
- Meets OSHA Pull Requirements
- Lifts Up to 300 lbs.
- Cranky 25' or 50' Cable Available
- Port-A-Post fits most hatch ladders w/side stringers 5/8" or less, rungs/steps 1" or less
- Adapter available for up to 2" rungs/steps
- Permanent Posts Must Mount to Solid Structure
- Independently Tested
- Available in Powder Coated Brown or Yellow Galvanized Available as custom option



Custom Floor/Roof Mount

| | | |
|-------|--|--------|
| F2025 | Cranky Portable Winch 25' Cable (mount sold separately) | Yellow |
| F2050 | Cranky Portable Winch 50' Cable (mount sold separately) | |
| F2900 | Port-A-Post use on roof hatch type ladder / Portable to move from ladder to ladder | Yellow |
| F2902 | Port-A-Post Adapter for Ladder Rungs flat or round up to 2" side rail cannot exceed 5/8" | Yellow |
| F2101 | Cranky Permanent Post 1 Flat Wall Mount | Brown |
| F2102 | Install when roof/wall edge is flat | Yellow |
| F2201 | Cranky Permanent Post 2 Gutter Saver | Brown |
| F2202 | Install when gutter is present | Yellow |
| F2301 | Cranky Permanent Post 3 Adjustable Bottom Legs for use w/decorative molding at top edge | Brown |
| F2302 | Install when roof edge has solid decorative molding min extension 5.5" max extension 20.5+ | Yellow |
| F2401 | Cranky Permanent Post 4 | Brown |
| F2402 | 4 Legs Adjust in/out for pre-engineered metal bldgs./overhangs extends min 5.5"/max 20.5" | Yellow |
| F2602 | Truck Mount – allowance for standard tailgate to open | Yellow |
| F2702 | Van Mount – allows for van door to open | Yellow |
| F2802 | Floor/Roof Mount (special order only-not included in special pricing) requires solid mount point | Yellow |

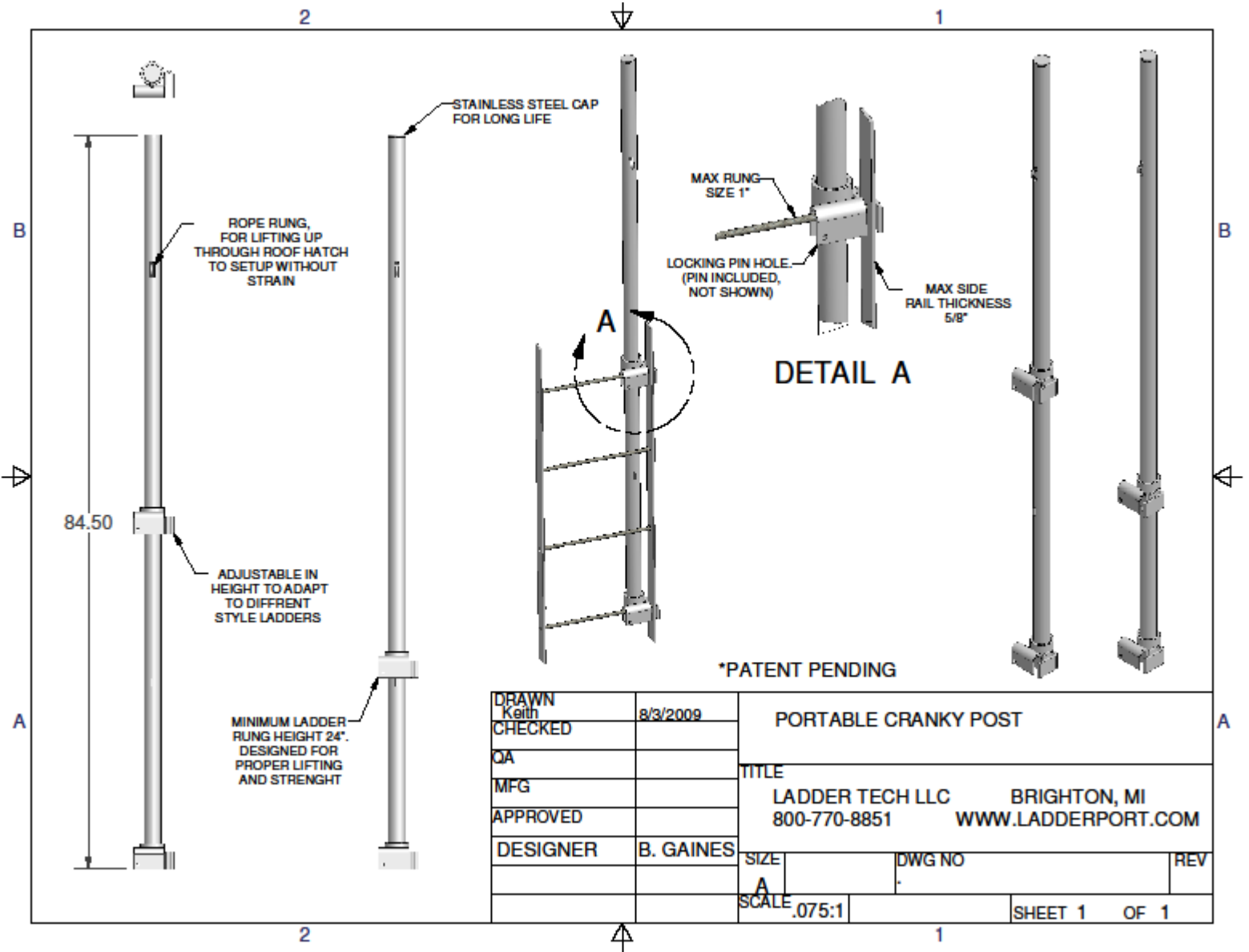
CRANKY PORTABLE WINCH 25' OR 50' CABLE

2
1

UNIT WEIGHT 30 LBS
MAX LIFTING CAPACITY IS 300 LBS
 WINCH IS EQUIPPED WITH HAND BRAKE
 CRANK RATIO IS 4.4:1
 POSITION 1 CENTERS LOAD IN ROOF HATCH
 POSITION 2 NORMAL LIFTING
 POSITION 3 KEEPS LOAD AWAY FROM BUILDING

| | | | | |
|------------|-----------|-----------|--|--------------|
| DRAWN | Keith | 7/30/2009 | "THE CRANKY" | |
| CHECKED | | | TITLE LADDER TECH LLC BRIGHTON, MI 800-770-8851 WWW.LADDERPORT.COM | |
| QA | | | | |
| MFG | | | | |
| APPROVED | | | | |
| DESIGNER | B. GAINES | | SIZE | DWG NO |
| DIMENSIONS | INCHES | | A | CRANKY |
| | | | SCALE | .01:1 |
| | | | | SHEET 1 OF 1 |

CRANKY PORT-A-POST & ADAPTER



Up to 2" rung/step size

ADAPTER SOLD SEPARATELY

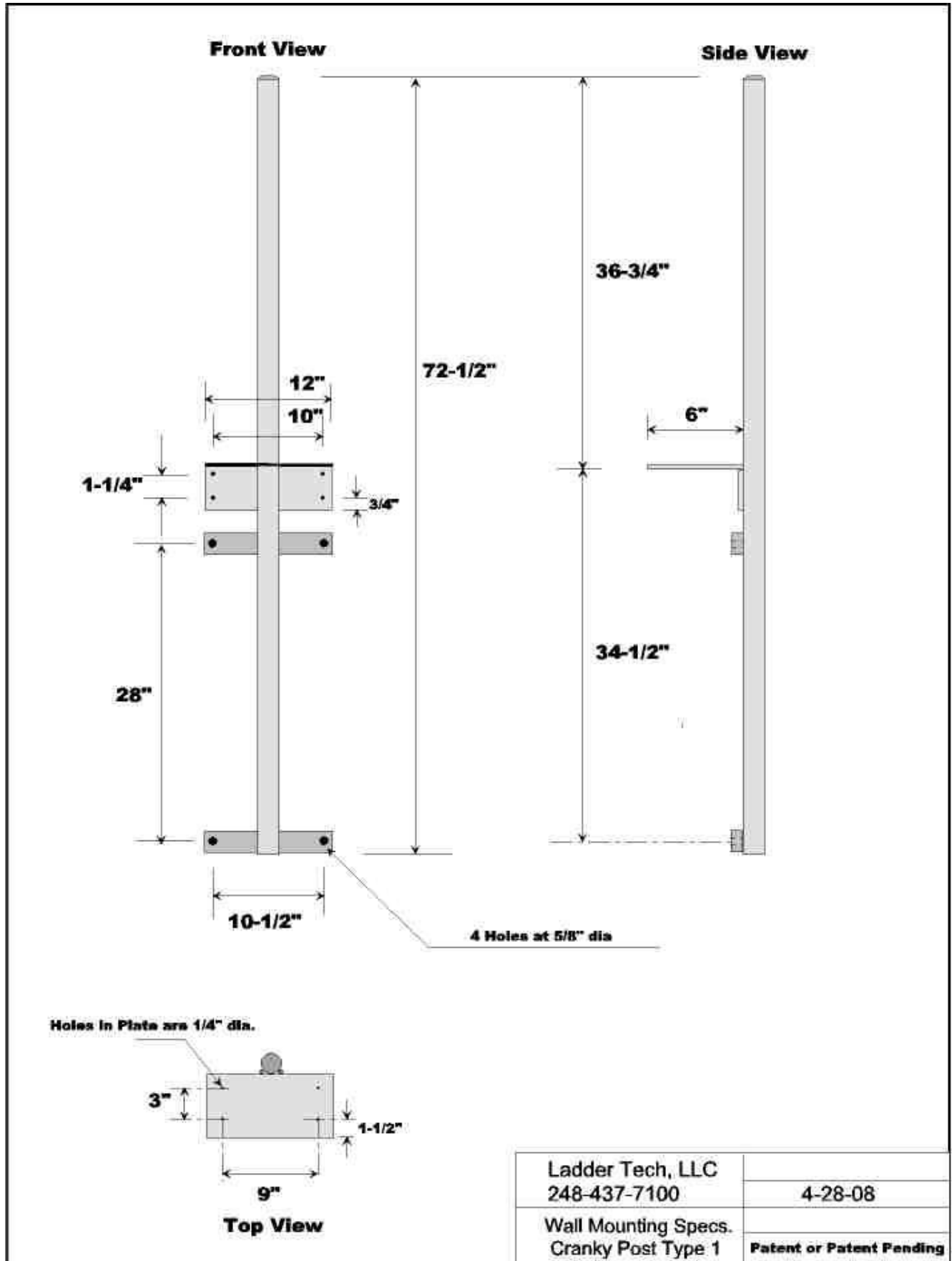


Adapter Shown Installed On Port-A-Post

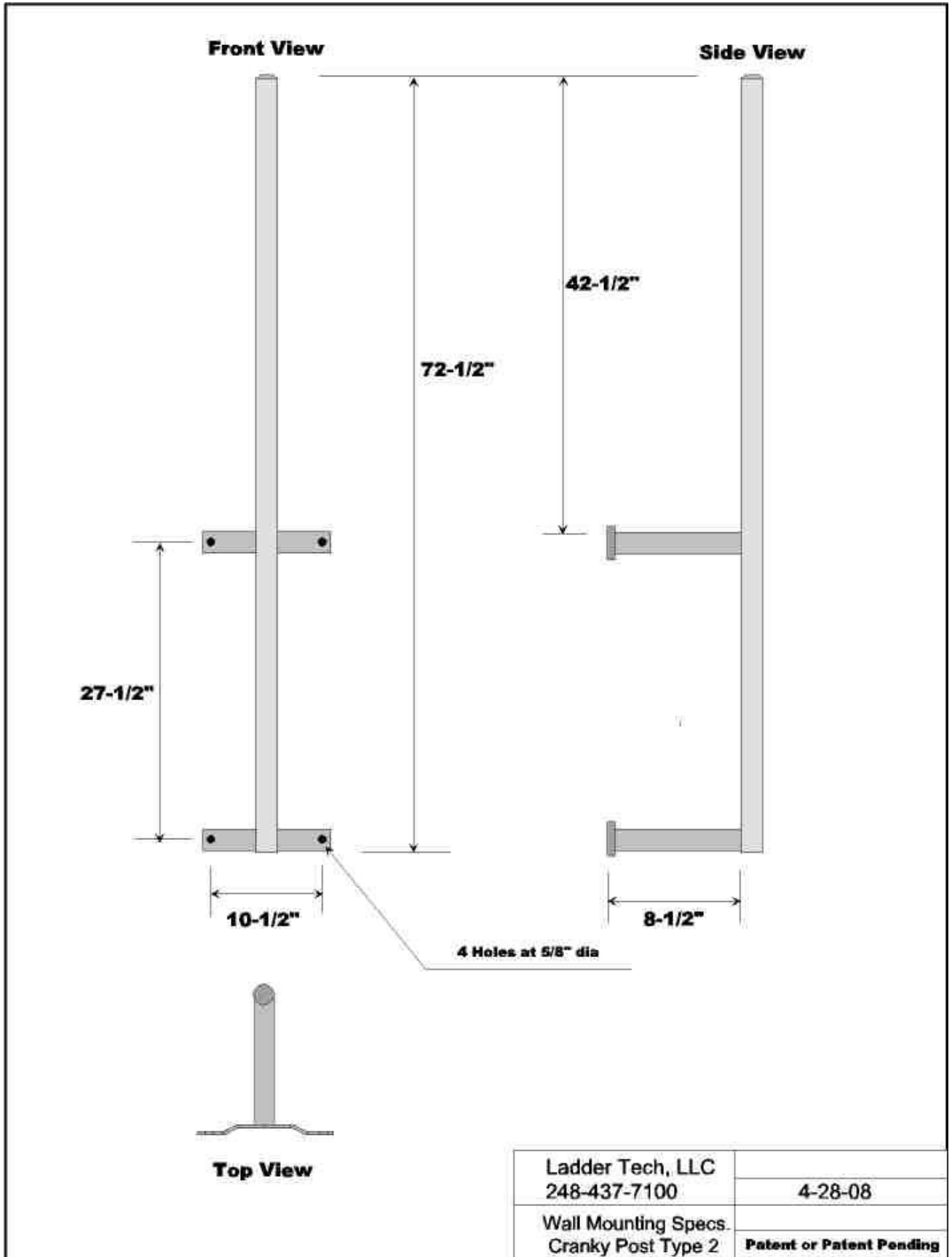


Port-A-Post Shown On Hatch Ladder

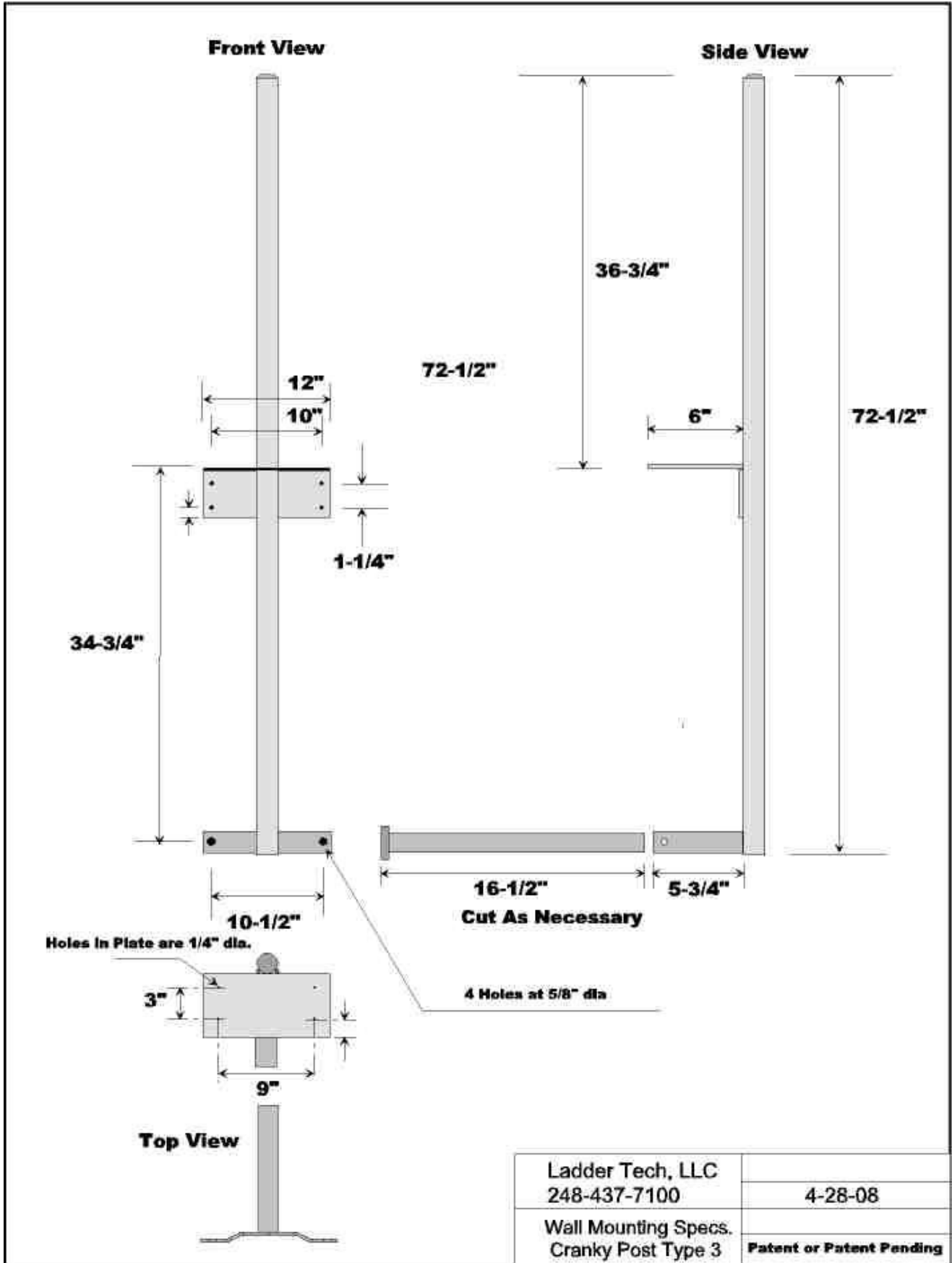
CRANKY PERMANENT POST TYPE 1 – FLAT WALL MOUNT



CRANKY PERMANENT POST TYPE 2 – GUTTER MOUNT

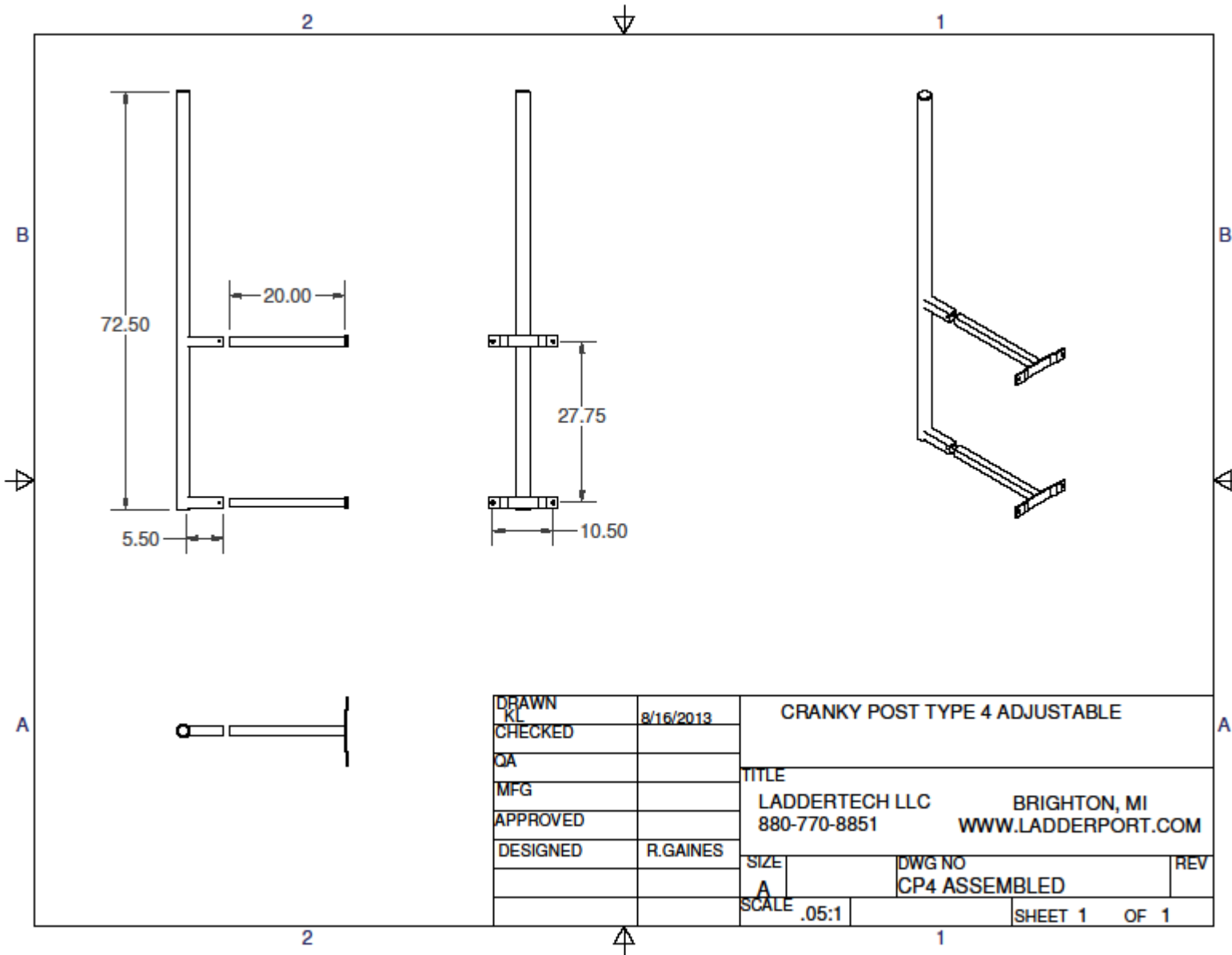


CRANKY POST TYPE 3 – CORNICE MOUNT
MUST HAVE SOLID CORNICE / BOTTOM LEG ADJUSTABLE IN/OUT

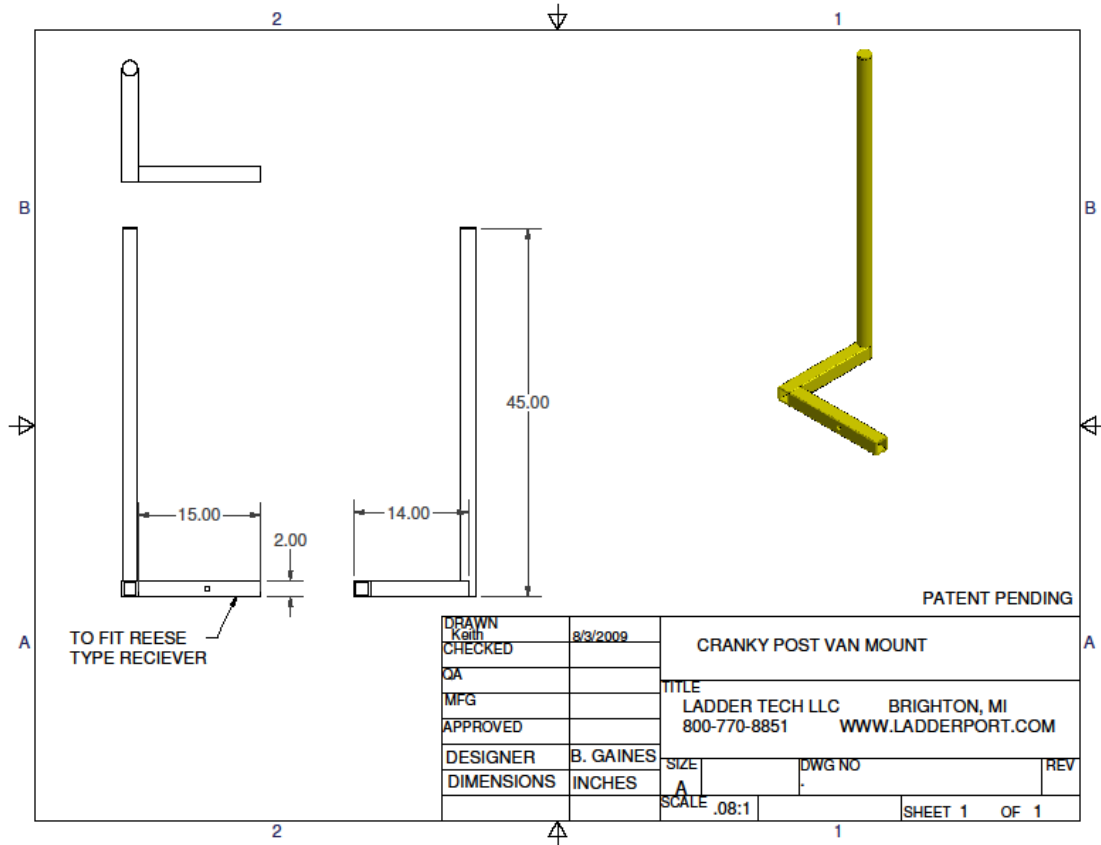




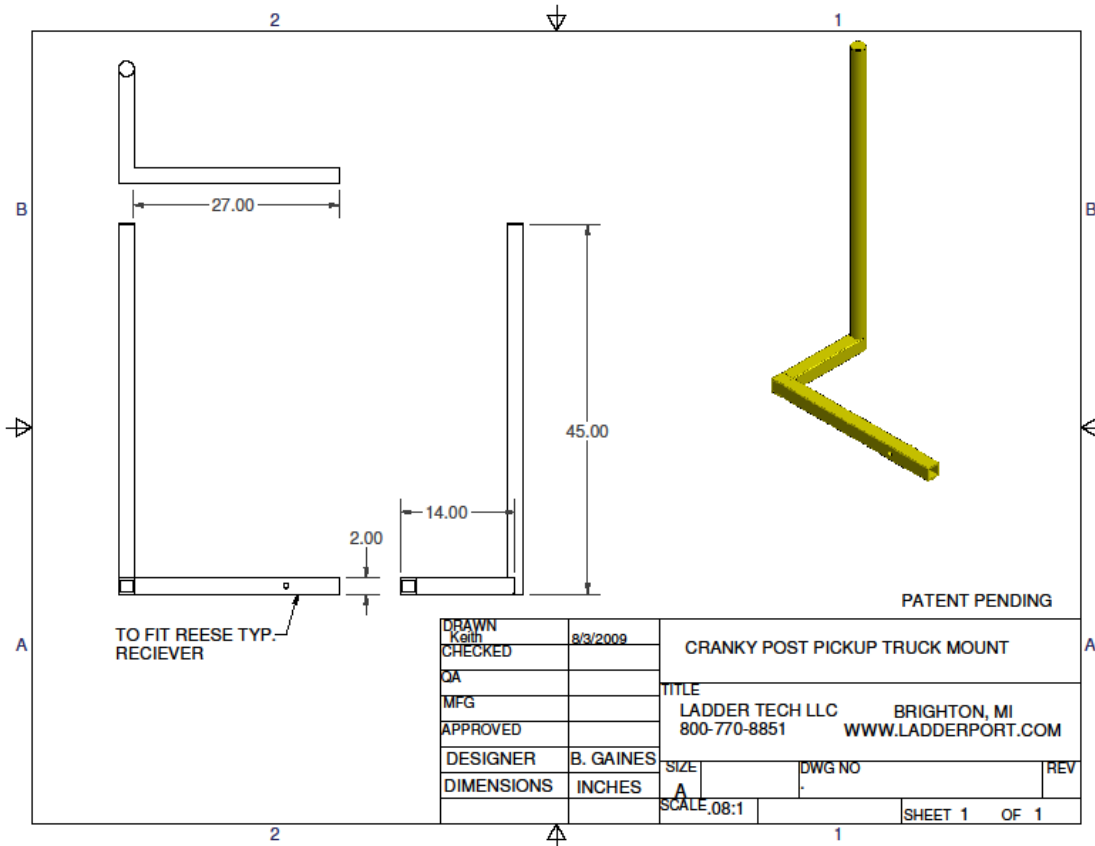
**CRANKY POST TYPE 4 – PRE-ENGINEERED METAL BLDG MOUNT
2 LEGS ADJUSTABLE IN/OUT ADJUSTABLE**



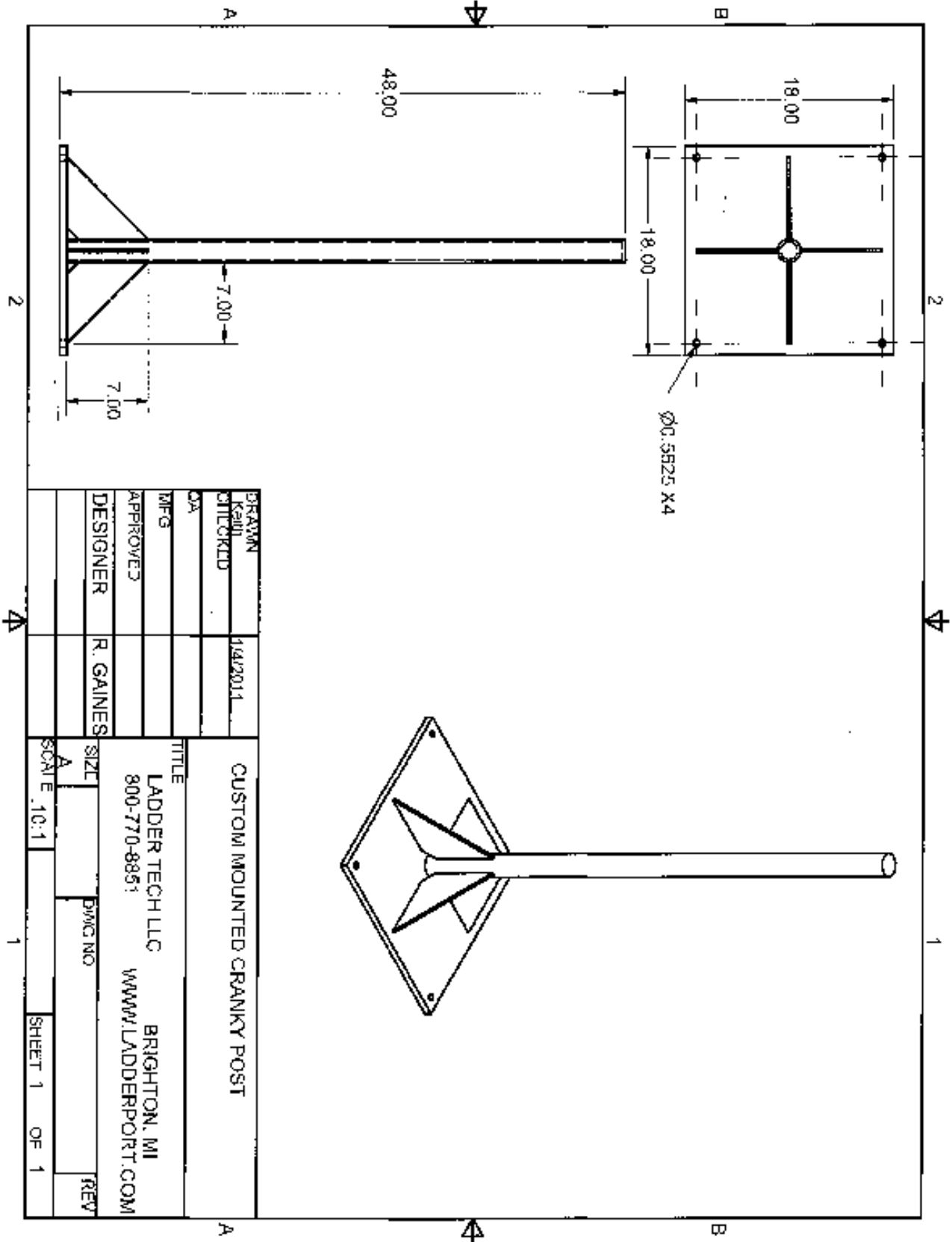
CRANKY VAN MOUNT



CRANKY TRUCK MOUNT



SOLID MOUNT POST



The Solid Mount Post is designed to mount to a secure surface, such as a concrete floor.
 Prior to installing on a roof, please verify proper installation method with an engineer or architect.