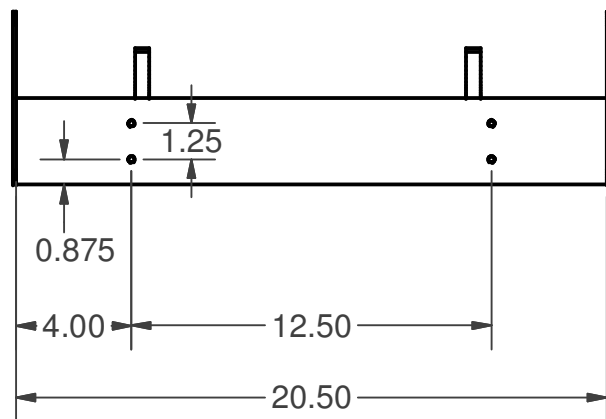
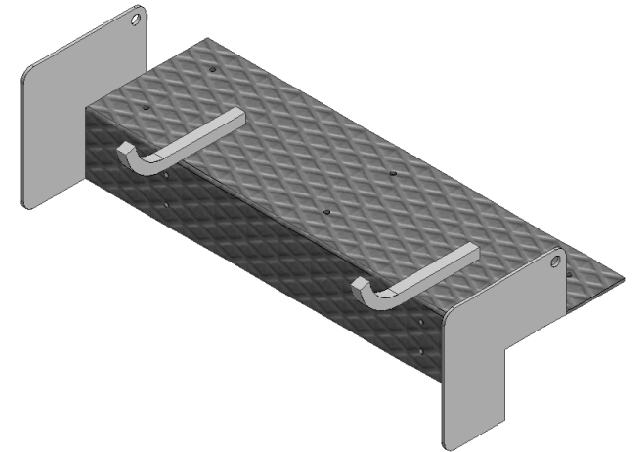
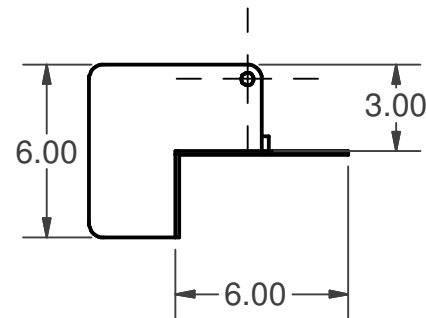


TOP VIEW



FRONT VIEW



SIDE VIEW

*** PATENTED**

DRAWN Keith	5/1/2009	LADDER DOCK		
CHECKED		TITLE		
QA		LADDER TECH LLC BRIGHTON, MI		
MFG		800-770-8851 WWW.LADDERPORT.COM		
APPROVED		SIZE	DWG NO	REV
DESIGNER R. GAINES		A	LADDERDOCK NO INFO	
DIMENSIONS INCHES		SCALE 15:1		SHEET 1 OF 1